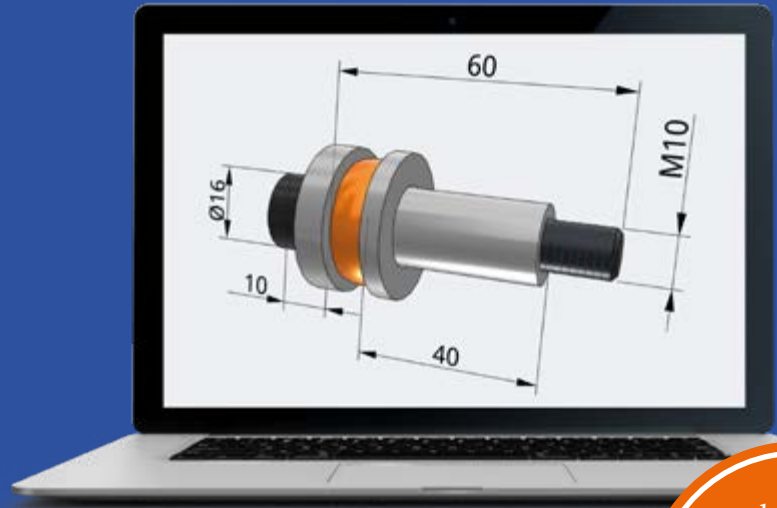


Inter- active Product Configurator



To the IPC:



FIBRO Standard Parts

Design support

The construction and layout of components for production require a lot of time and expertise. Both are limited and costly resources.

To provide you with our expert knowledge in the user-specific selection of our products we have developed the **FIBRO 3D Interactive Product Configurator** in cooperation with CADENAS.

So far, the configurator includes our entire portfolio of punches and bushings as well as guide elements, gas springs, and enables the individual selection of product-specific parameters. Combinations that are not possible are excluded from the start – meaning incorrect order specifications are avoided. Thus, you receive a ready-to-order solution whose CAD data is also directly available as a download.



Increased productivity



Improved quality



Optimized use of resources