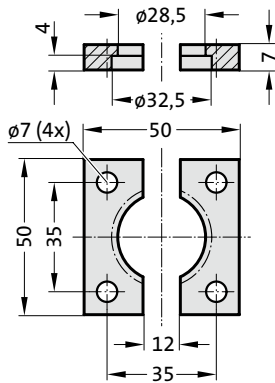
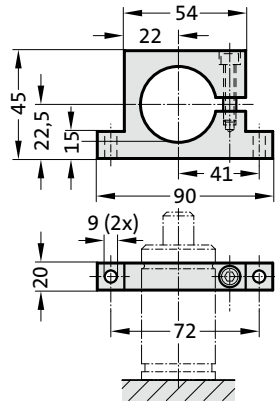


GAS SPRING POWERLINE MOUNTING VARIATIONS

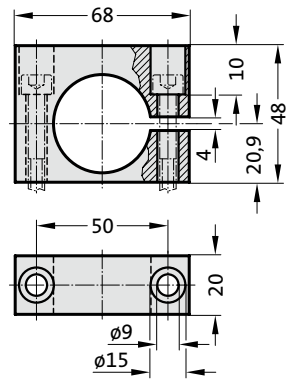
2480.022.00150



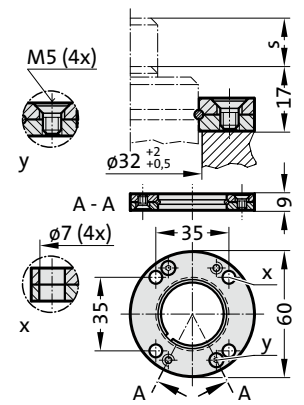
2480.044.00150²⁾



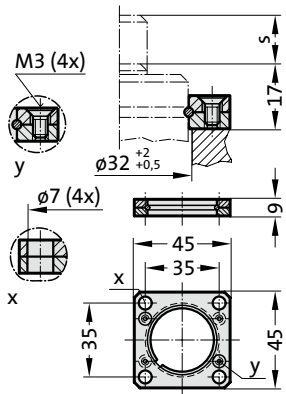
2480.044.03.00150²⁾



2480.055.00150



2480.057.00150



Note:

²⁾ Attention:
The spring force must be absorbed by the stop Surface!

Mounting examples:

