

# GAS SPRING POWERLINE

## Note:

Initial spring force at 180 bar = 350 daN

Order No for spare parts kit: 2487.12.00350

Gas spring without valve

Order No (example): 2487.12.00350. .P

Pressure medium: Nitrogen N<sub>2</sub>

Max. filling pressure: 180 bar

Min. filling pressure: 25 bar

Working temperature: 0°C to +80°C

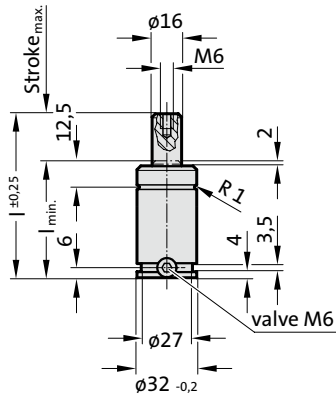
Temperature related force increase: ± 0.3%/°C

Max. recommended extensions per minute:

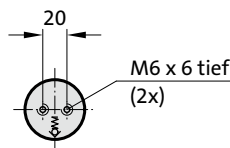
approx. 20 to 100 (at 20°C)

Max. piston speed: 1.6 m/s

## 2487.12.00350.



View X

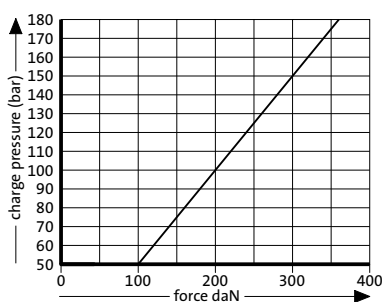


2487.12.00350.

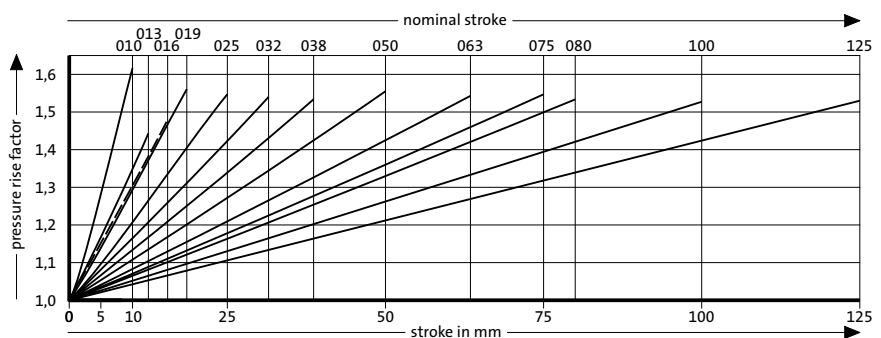
Gas spring POWERLINE

Order No	Stroke <sub>max.</sub> (s)	l <sub>min.</sub>	l
2487.12.00350.010	10	40	50
2487.12.00350.013	13	43	56
2487.12.00350.016	16	46	62
2487.12.00350.019	19	49	68
2487.12.00350.025	25	55	80
2487.12.00350.032	32	62	94
2487.12.00350.038	38	68	106
2487.12.00350.050	50	80	130
2487.12.00350.063	63	93	156
2487.12.00350.075	75	105	180
2487.12.00350.080	80	110	190
2487.12.00350.100	100	130	230
2487.12.00350.125	125	155	280

Initial spring force versus charge pressure



Spring force Diagram displacement versus stroke rise



Pressure rise factor accounts for displacement but not external influences!