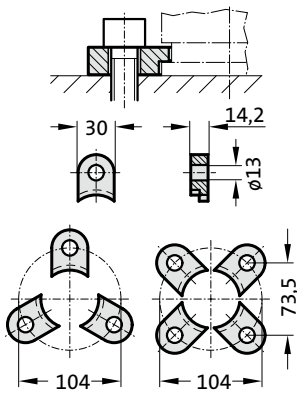
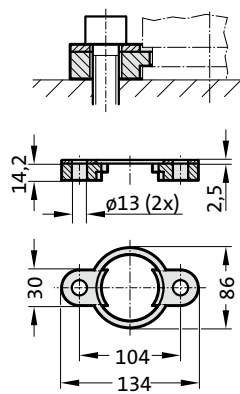


# GAS SPRING POWERLINE MOUNTING VARIATIONS

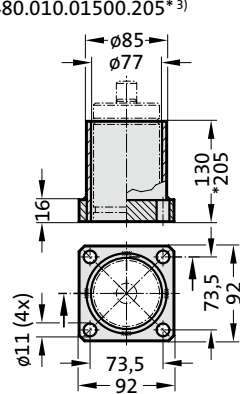
2480.007.01500



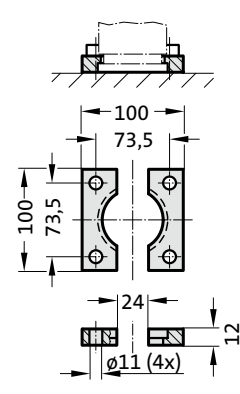
2480.008.01500<sup>3)</sup>



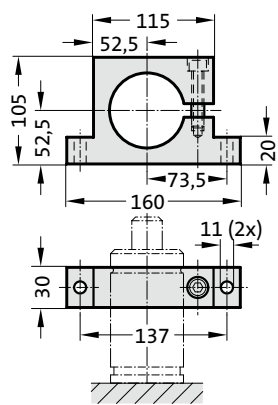
2480.010.01500.130<sup>3)</sup>  
2480.010.01500.205<sup>\*3)</sup>



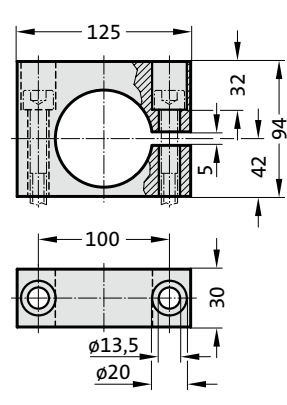
2480.022.01500



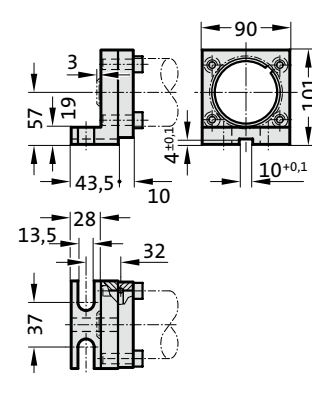
2480.044.01500<sup>2)</sup>



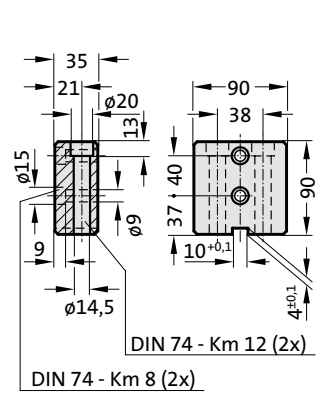
2480.044.03.01500<sup>2)</sup>



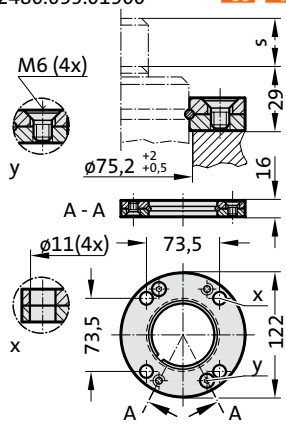
2480.045.01500<sup>2)</sup>



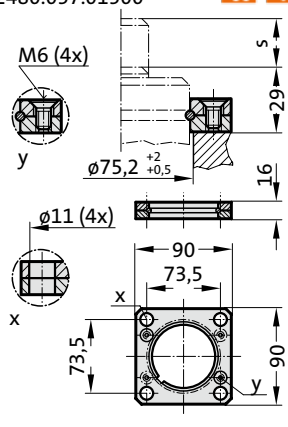
2480.047.01500<sup>2)</sup>



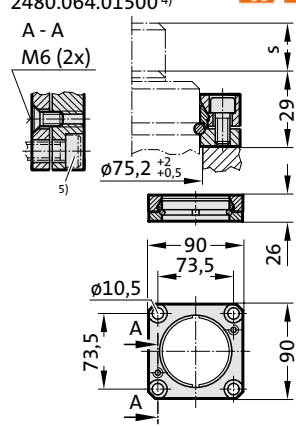
2480.055.01500



2480.057.01500



2480.064.01500<sup>4)</sup>



## Note:

- <sup>2)</sup> Attention:  
The spring force must be absorbed by the stop Surface!
- <sup>3)</sup> Not for use with composite connection.
- <sup>4)</sup> Square collar flange, non-rotating, fixing for composite connection.
- <sup>5)</sup> Machine screws with hexagonal socket (compact head recommended)