

GAS SPRING POWERLINE

Note:

Initial spring force at 150 bar = 4200 daN

Order No for spare parts kit: 2487.12.04200

Gas spring without valve

Order No (example): 2487.12.04200. .P

Pressure medium: Nitrogen N₂

Max. filling pressure: 150 bar

Min. filling pressure: 25 bar

Working temperature: 0°C to +80°C

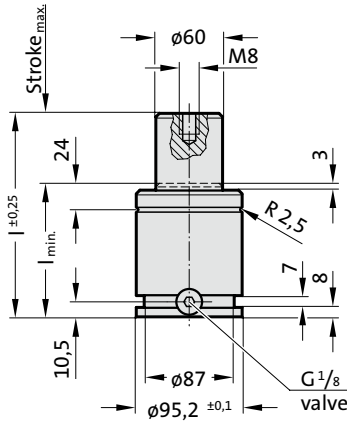
Temperature related force increase: ± 0.3%/°C

Max. recommended extensions per minute:

approx. 20 to 100 (at 20°C)

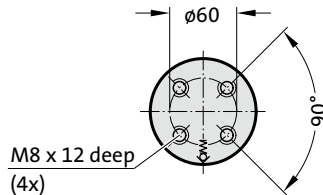
Max. piston speed: 1.6 m/s

2487.12.04200.



X

View X

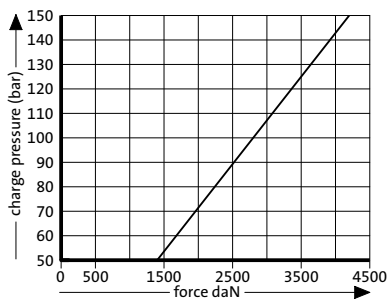


2487.12.04200.

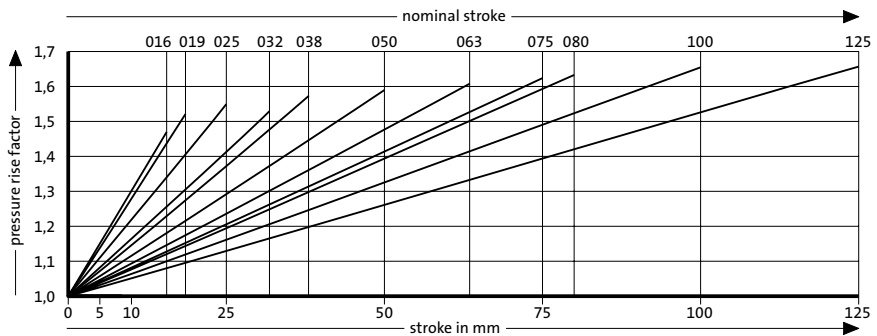
Gas spring POWERLINE

| Order No | Stroke _{max.} (s) | l _{min.} | l |
|-------------------|----------------------------|-------------------|-----|
| 2487.12.04200.016 | 16 | 74 | 90 |
| 2487.12.04200.019 | 19 | 77 | 96 |
| 2487.12.04200.025 | 25 | 83 | 108 |
| 2487.12.04200.032 | 32 | 90 | 122 |
| 2487.12.04200.038 | 38 | 96 | 134 |
| 2487.12.04200.050 | 50 | 108 | 158 |
| 2487.12.04200.063 | 63 | 121 | 184 |
| 2487.12.04200.075 | 75 | 133 | 208 |
| 2487.12.04200.080 | 80 | 138 | 218 |
| 2487.12.04200.100 | 100 | 158 | 258 |
| 2487.12.04200.125 | 125 | 183 | 308 |

Initial spring force versus charge pressure



Spring force Diagram displacement versus stroke rise



Pressure rise factor accounts for displacement but not external influences!