

GAS SPRING WITH THROUGH BORE PASSAGE

Note:

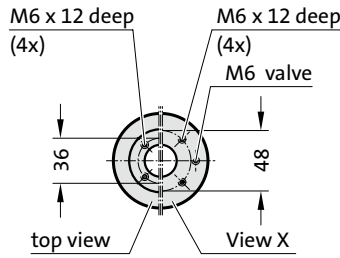
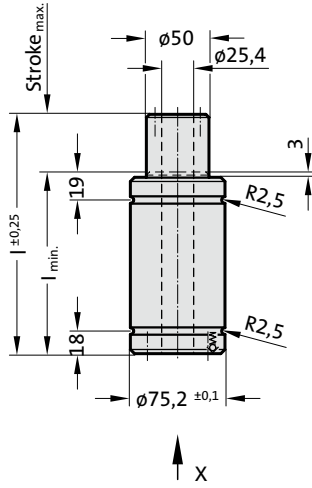
Initial spring force at 150 bar = 1060 daN

When mounting to floor, contact over the entire floor of the cylinder tube must be ensured!

Order No for spare parts kit: 2496.12.01060

Pressure medium: Nitrogen N₂
 Max. filling pressure: 150 bar
 Min. filling pressure: 50 bar
 Working temperature: 0°C to +80°C
 Temperature related force increase: ± 0.3%/°C
 Max. recommended extensions per minute: approx. 15 to 40 (at 20°C)
 Max. piston speed: 0.5 m/s

2496.12.01060.



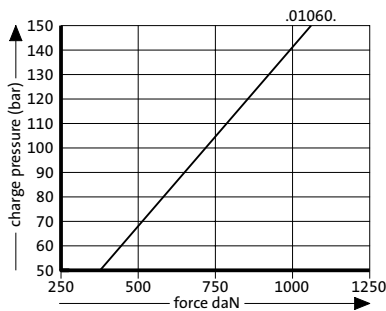
2496.12.01060.

Gas spring with through bore passage

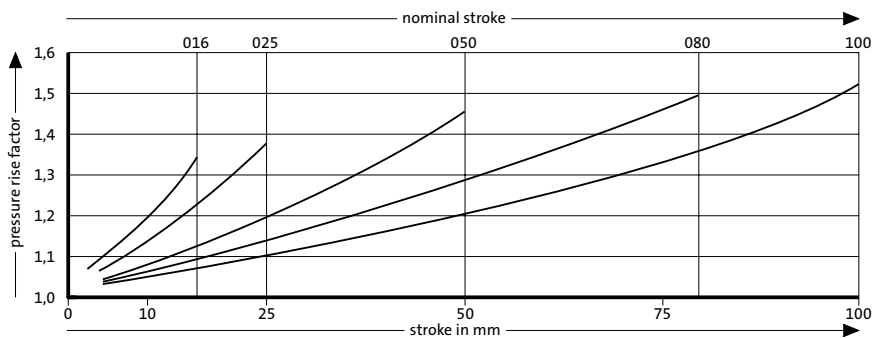
Order No	Stroke _{max.} (s)	l _{min.}	l	g ₂ *
2496.12.01060.016	16	106	122	96
2496.12.01060.025	25	115	140	105
2496.12.01060.050	50	140	190	130
2496.12.01060.080	80	170	250	160
2496.12.01060.100	100	190	290	180

see mounting example

Initial spring force versus charge pressure



Spring force Diagram displacement versus stroke rise



Pressure rise factor accounts for displacement but not external influences!