

Gas spring MAXFORCE

Note:

Initial spring force at 200 bar = 12720 daN

Order No for spare parts kit: 2497.15.12800

Pressure medium: Nitrogen N₂

Max. filling pressure: 200 bar

Min. filling pressure: 20 bar

Working temperature: 0°C to +80°C

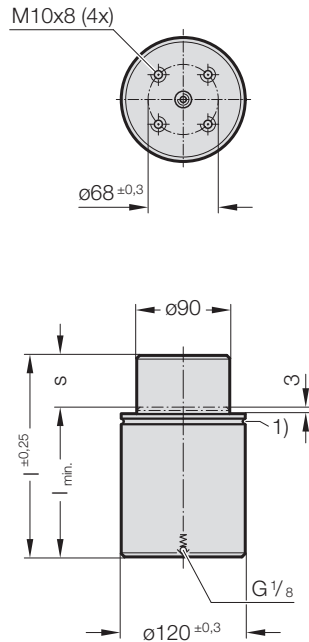
Temperature related force increase: ± 0.3%/°C

Max. recommended extensions per minute:
approx. 20 to 50 (at 20°C)

Max. piston rod speed: 1.6 m/s

1) Only for mounting additional wipers

2497.15.12800.

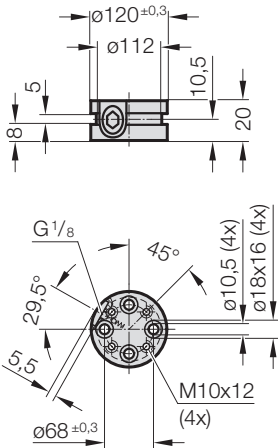


PED
2014/68/EU



2497.00.15.20.12800

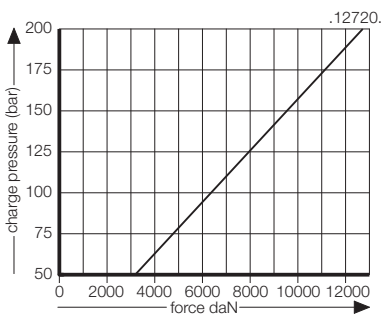
Adapter base plate with valve, flat-sealing



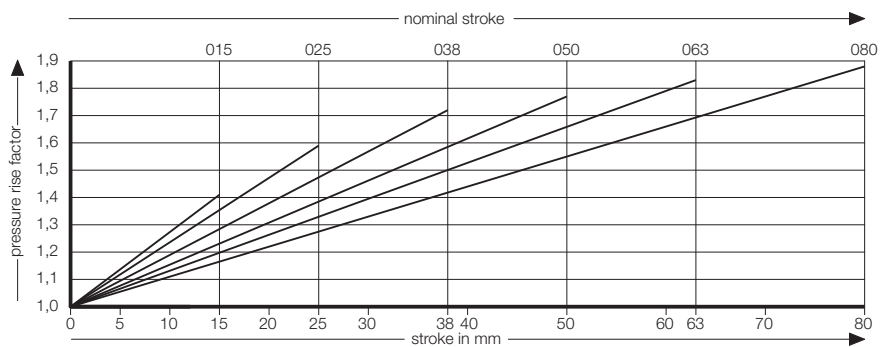
2497.15.12800. Gas spring MAXFORCE

Order No	s (Stroke max.)	l _{min.}	l	Gas volume [l]	Weight [kg]
2497.15.12800.015	15	100	115	0.415	5.82
2497.15.12800.025	25	110	135	0.532	6.29
2497.15.12800.038	38	127	165	0.715	7.01
2497.15.12800.050	50	145	195	0.902	7.74
2497.15.12800.063	63	162	225	1.085	8.46
2497.15.12800.080	80	185	265	1.331	9.43

Initial spring force versus charge pressure



Spring force Diagram displacement versus stroke rise



Pressure rise factor accounts for displacement but not external influences!